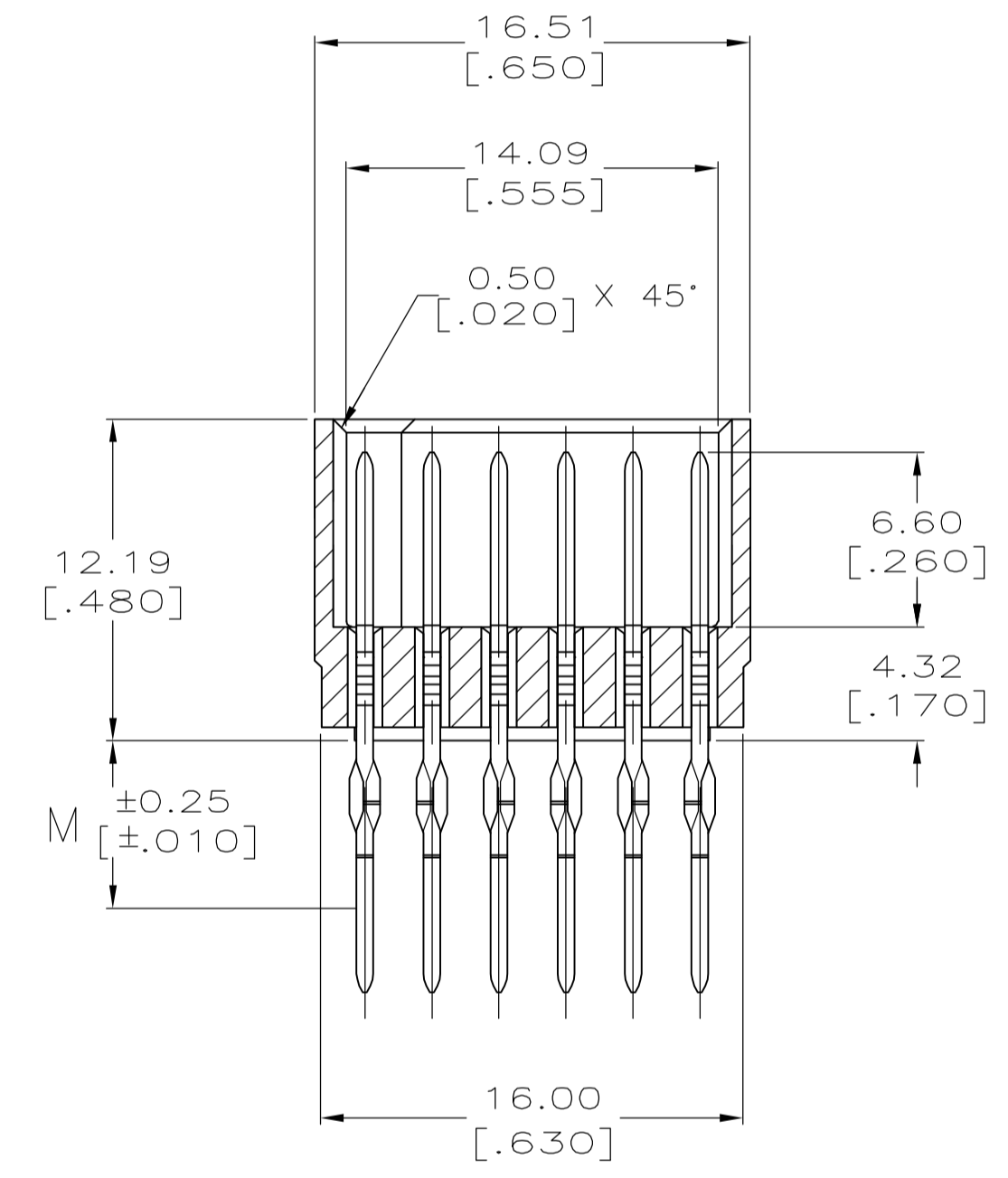
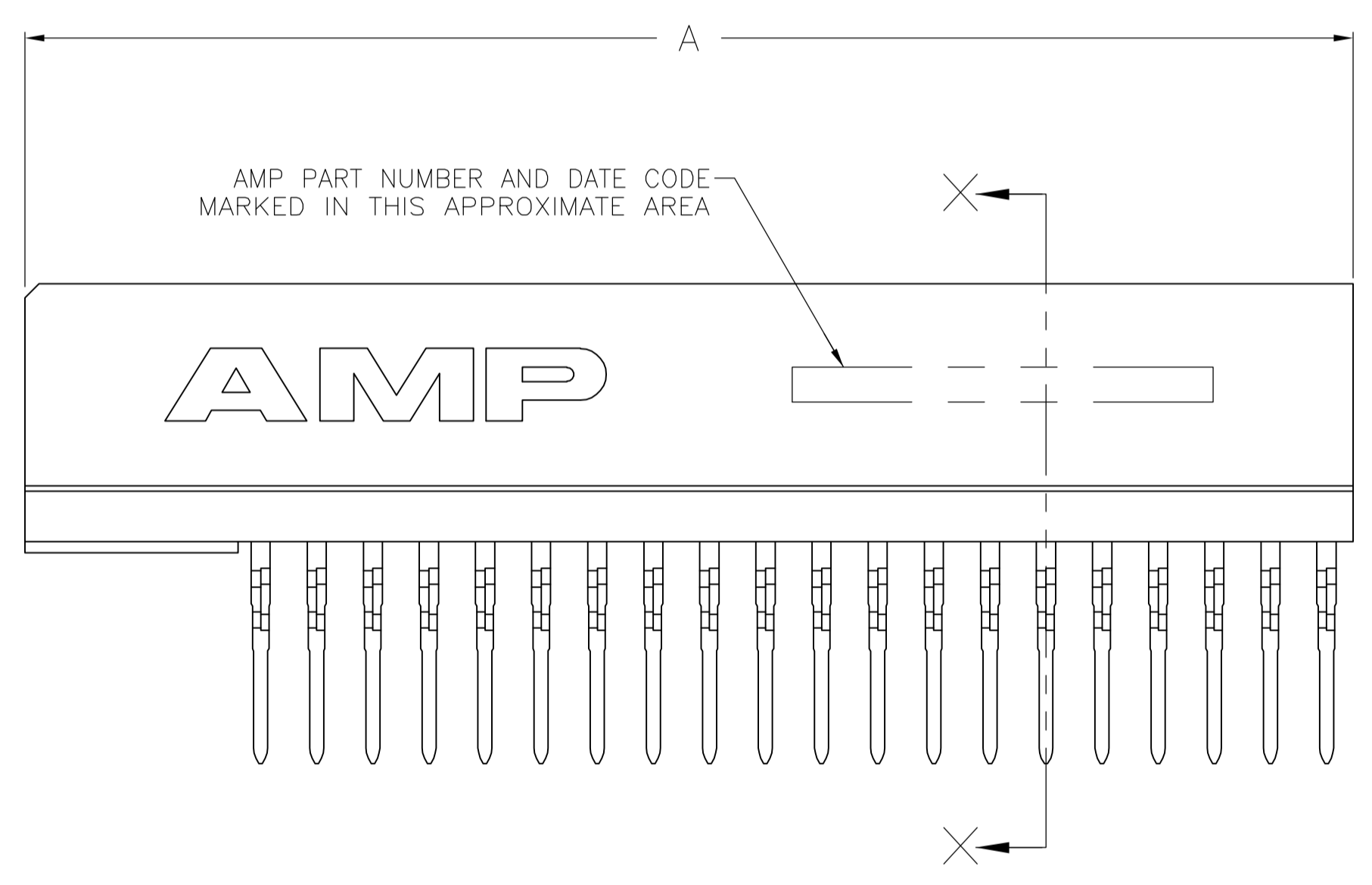
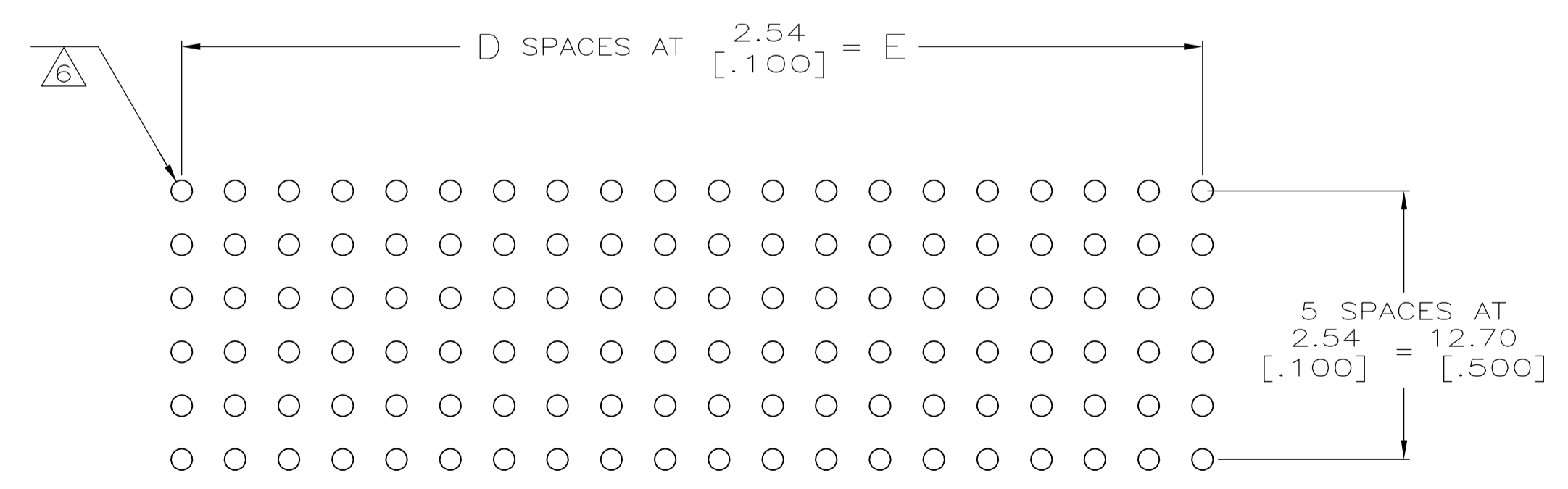


- 1 HOUSING MATERIAL: GLASS FILLED POLYESTER, COLOR: BLACK.
- 2 CONTACT MATERIAL: PHOSPHOR BRONZE.
- 3 CONTACT FINISH: 0.00127 [.000050] NICKEL UNDERPLATE ALL OVER, 0.00076 [.000030] GOLD PLATE IN CONTACT AREAS. TIN-LEAD PLATE ON TAILS.
- 4 CONTACT FINISH: 0.00127 [.000050] NICKEL UNDERPLATE ALL OVER, 0.00076 [.000030] GOLD IN CONTACT AREAS AND LOWER 5.08 [.200] OF POSTS. GOLD FLASH ON REMAINDER.
- 5. GUIDE PINS AND KEYS SOLD SEPARATELY.
- 6 ACTION PIN POSTS REQUIRE 2.36 [.093] MIN THICK P.C. BOARD. RECOMMENDED P.C. BOARD HOLES ARE 1.151 [.0453] DIA PLATED THRU WITH 0.025-0.076 [.001-.003] COPPER AND 0.0076 [.0003] MIN TIN-LEAD. AFTER PLATING FINISHED HOLES SHALL BE 0.94-1.09 [.037-.043] DIA; AFTER REFLOW 0.91-1.09 [.036-.043] DIA.



SECTION X-X



RECOMMENDED P.C BOARD LAYOUT

| | | | | | | | | | |
|----------|---|-----------------|------------------|----|------------------|---------------------|-----------------------|------|----------|
| OBSOLETE | 4 | 9.52 [.375] | 48.26 [1.900] | 19 | 61.15 [2.368] | 40 | 80 | 120 | 535843-8 |
| OBSOLETE | 4 | 9.52 [.375] | 35.56 [1.400] | 14 | 47.45 [1.868] | 30 | 60 | 90 | 535843-7 |
| OBSOLETE | 4 | 14.09 [.555] | 48.26 [1.900] | 19 | 61.15 [2.368] | 40 | 80 | 120 | 535843-6 |
| | 4 | 14.09 [.555] | 35.56 [1.400] | 14 | 47.45 [1.868] | 30 | 60 | 90 | 535843-5 |
| OBSOLETE | 4 | 17.37 [.684] | 48.26 [1.900] | 19 | 61.15 [2.368] | 40 | 80 | 120 | 535843-4 |
| OBSOLETE | 4 | 17.37 [.684] | 35.56 [1.400] | 14 | 47.45 [1.868] | 30 | 60 | 90 | 535843-3 |
| | 3 | 6.35 [.250] | 48.26 [1.900] | 19 | 61.15 [2.368] | 40 | 80 | 120 | 535843-2 |
| | 3 | 6.35 [.250] | 35.56 [1.400] | 14 | 47.45 [1.868] | 30 | 60 | 90 | 535843-1 |
| FINISH | | M | E | D | A | NO OF PLUS CONTACTS | NO OF SIGNAL CONTACTS | POSN | PART NO |

THIS DRAWING IS A CONTROLLED DOCUMENT.

| | | | | | | | |
|-------------------------|--|----------------------------|-------------------------|--------------------------|------------------|--|---|
| DIMENSIONS: mm [INCHES] | TOLERANCES UNLESS OTHERWISE SPECIFIED: | DWG: RINEHART/UTA 11/27/90 | CHK: N. SCHROLL 9-21-93 | APVD: N. SCHROLL 9-21-93 | NAME: N. SCHROLL | TYCO Electronics | Tyco Electronics Corporation Harrisburg, PA 17105-3608 |
| 0 PLC ± - | 1 PLC ± - | 2 PLC ± 0.12 [.005] | 3 PLC ± - | 4 PLC ± - | ANGLES ± - | SIZE: A1 | CAGE CODE: 00779 |
| MATERIAL: 1 2 | SEE TABLE | WEIGHT: - | SCALE: 4:1 | SHEET: 1 of 1 | REV: G1 | ASSEMBLY, PIN, TBC PLUS, LEFT END MODULE, FULLY LOADED | |